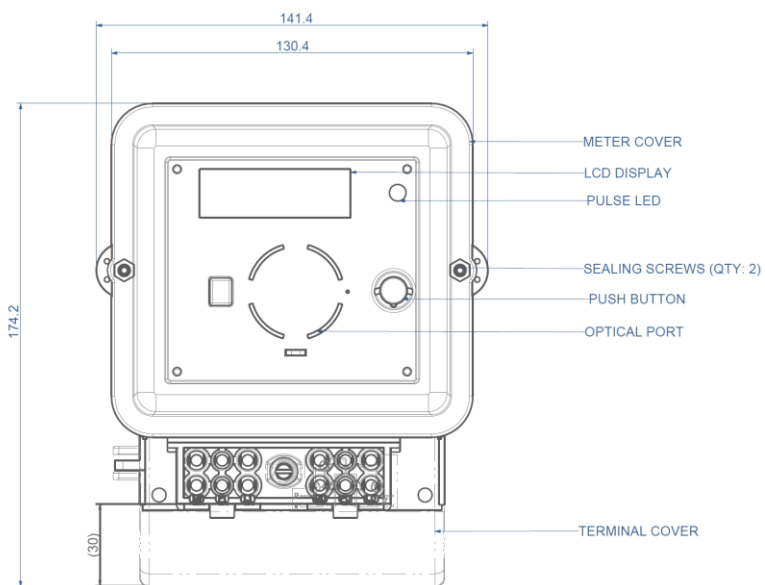


Single Phase DT Meter EM101+

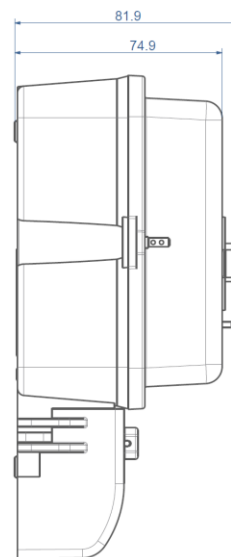


- Class 0.5s accuracy for active and class 1.0 accuracy for reactive as per IS & IEC standards
- CT operated meter with 5A (I_b) to 10A (I_{max})
- Pulse LED output
- Indication for power on, current reversal, earth load tamper (ELT) and neutral missing
- Load Survey, reset backups and TOD features
- Optical port

Specifications		Display	
Connection	1 Phase 2 Wire	LCD	6 digit backlit display
Standards Applicable	IS 14697 CBIP 325	Display mode	Auto scroll, push button and high resolution modes
Accuracy Class	Active CI 0.5S Reactive CI 1.0s	LED	Pulse LED for kWh and kVAh
Rated Voltage	240V (P-N)	Other Features	
Voltage Variation	-40% to +20%		Day wise energies
Current Rating	-/5A		Load survey profile
Starting Current	0.1% of basic current		Tariff wise energies
Accuracy Up to	200% of basic current		Display and data reading in absence of power
Frequency	50Hz		Tamper detection
Frequency Variation	-5% to +5%		Bi-directional energy recording available
Power Consumption	As per IS 14697	Data security	Multi-level password for data reading and programming
Operating Temperature	-10°C to +55°C	Communication	Electrically isolated optical port as per IEC62056-21
Ingress Protection	IP 51	Optional communication interface	RS 232
Supported parameters (As per customer requirement)		Protocol supported	IEC / DLMS / Customer specific
Instantaneous	Voltage, Phase and neutral currents, PF, Active power and apparent power Frequency	Tamper proofing provision	Ultrasonic welding available (optional)
Energy Measurement	4 quadrant measurement of kWh, kVAh and kVAh		
Maximum Demand	kW and kVA along with date and time		
Time of Day	Up to 8 registers, profiles and seasons		



FRONT VIEW



SIDE VIEW