

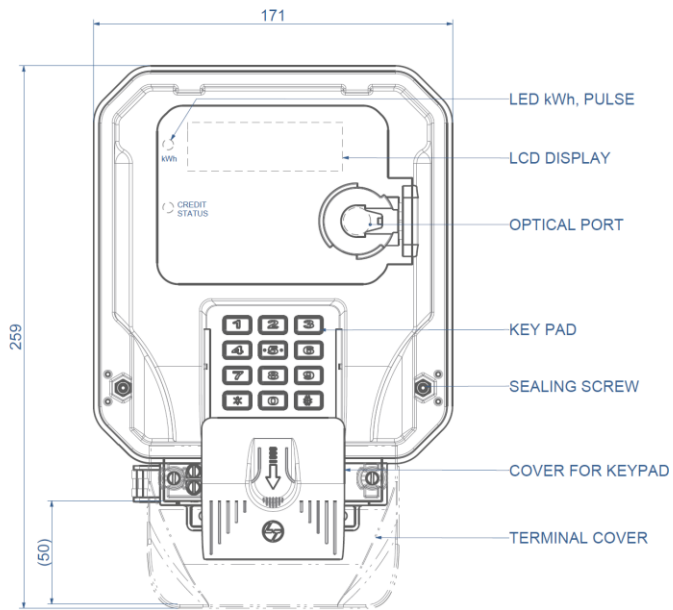


Single Phase Prepayment Meter Taurus

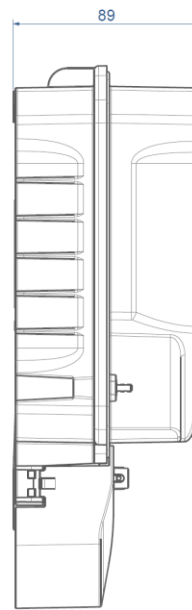


- Complying to IS15884
- Prepaid electricity distribution with simple numeric codes for recharge
- Current load cost and number of days left for usage shown on display
- Programmable friendly hours/days, holidays, slab/time-of-day tariff structure
- Relays provided for phase and neutral disconnection
- Optional consumer interface unit (CIU) available with USB dongle token carrier for recharging
- Balance and consumption indication LED in CIU and meter
- Token transfer using NFC (optional)

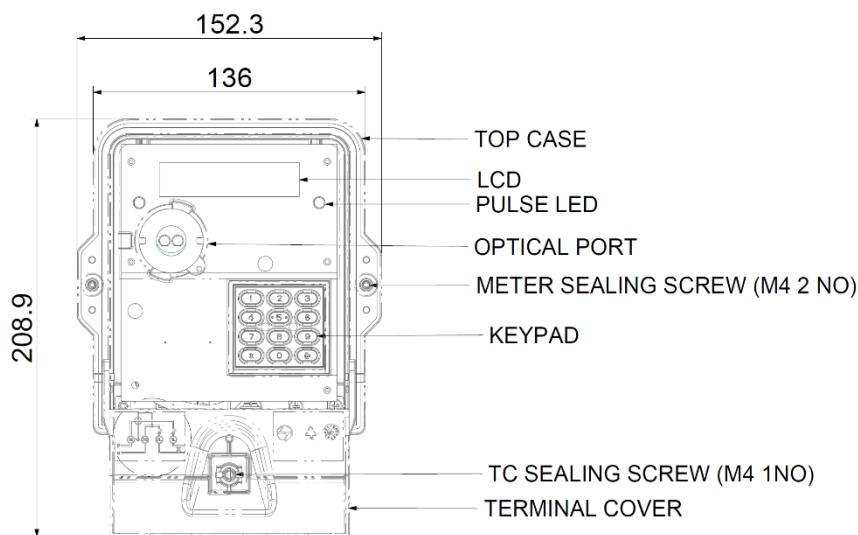
Specifications		Display	
Connection	1 Phase 2 Wire	LCD	8 digit backlit display
Standards Applicable	IS 15884	LCD Indicators	Indication for relay status, tamper
Accuracy Class	CI 1.0	Display mode	Auto scroll, push button and high resolution modes
Rated Voltage	230V / 240V (P-N)	LED	Pulse LEDs for kWh
Voltage Variation	-40% to +20%	Prepaid Features	
Current Rating	10-60 A	Keypad	Encrypted STS based token entry using standard telephone keypad
Starting Current	0.2% of basic current	Prepaid token features	Emergency credit; specific and non-reusable tokens; provision to program friendly hours/days, holidays; slab/time-of-day tariff structure
Accuracy up to	120% of maximum current	Overload protection	Trip on over-drawal of current or exceeding sanctioned demand
Frequency	50Hz	Buzzer	For low credit and emergency credit
Frequency Variation	-5% to +5%	Communication	Optical port for local communication RS 485 port for connection of CIU (optional) NFC for token and data transfer(optional)
Power Consumption	As per IS 15884	Relay	Provided in both phase and neutral complying to IS15884 with UC1/UC2
Operating Temperature	-10°C to +55°C	DG supply sensing	Uses a signal of 24-440 V AC/DC
Ingress Protection	IP 51	Consumer Interface Unit (optional)	Display of meter parameters and token entry; LEDs provided for power ON/OFF and credit status
Supported parameters (As per customer requirement)		Authenticated Billing Code	Provides details of cumulative kWh and available meter credit to utility
Instantaneous	Voltage, phase and neutral currents, PF, active power, reactive power and apparent power Frequency		
Energy Measurement	4 quadrant measurement of kWh and kVAh		
Maximum Demand	kW and kVA along with date and time		
Time of Day	Up to 8 registers		
Prepaid parameters	Tariff details (TOD/slab), fixed charges, minimum charges, other charges and applicable taxes Credit balance in INR		



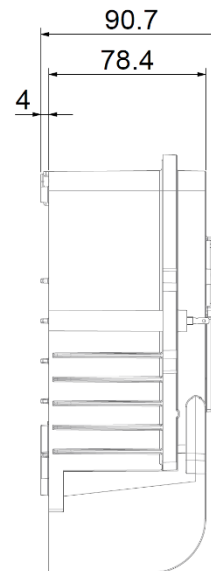
FRONT VIEW



SIDE VIEW



FRONT VIEW



LEFT SIDE VIEW