

Gate, Globe & Check Valves

Corrosion-resistant



ASME Class 150 to 600 | 2" - 24" (50 mm - 600 mm)
API 603, ASME B16.34

L&T Valves

Trusted by the industry for over five decades, L&T Valves offers innovative products and solutions that enhance safety, reliability and performance in flow-control systems across the globe. The company is a wholly-owned subsidiary of Larsen & Toubro, a leading engineering, construction, manufacturing and services conglomerate.

The Quality Management System of L&T Valves is certified to comply with ISO 9001 and API Spec Q1. The company is licensed to offer products monogrammed API 600, API 6D and API 609 as well as valves with CE Marking and ATEX certification. Ball, Butterfly Gate and Globe Valves with SIL3 certification are also offered.

At L&T Valves facilities, cutting-edge technology and unmatched skill come together to create state-of-the-art flow-control solutions. International safety, health and environment standards govern every phase of the manufacturing process.





Gate, Globe and Check Valves

L&T Valves is a global leader in Gate, Globe & Check Valves. The range comprises large-size valves in sizes up to 72", high pressure valves in ASME classes up to 4500, high integrity low emission valves (API 624/ ISO 15848), cryogenic valves (-196°C) and valves in exotic metallurgies.

Corrosion-resistant Range

Leveraging expertise in design and manufacture of Gate, Globe and Check Valves, L&T Valves offers a range of Corrosion-resistant Valves in sizes up to 24" (600 mm) and in ASME classes from 150 to 600.

The valves are offered in various grades of Austenitic stainless steels to meet customer requirements in chemical, petrochemical and fertilizer industries.

Gate Valves

ASME Class	2	3	4	6	8	10	12	14	16	18	20	22	24
50													
80													
100													
150	•	•	•	•	•	•	•	•	•	•	•	•	•
300	•	•	•	•	•	•	•	•	•	•	•	•	•
600	•	•	•	•	•	•	•						

Globe Valves

ASME Class	2	3	4	6	8	10	12	14	16	18	20	22	24
50													
80													
100													
150	•	•	•	•	•	•	•						
300	•	•	•	•	•	•	•						
600	•	•	•	•	•	•	•						

Check Valves

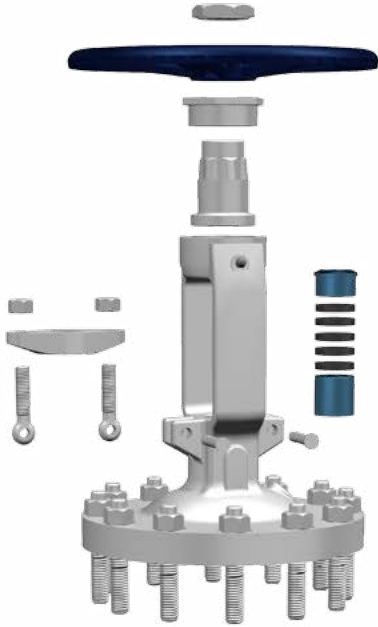
ASME Class	2	3	4	6	8	10	12	14	16	18	20	22	24
50													
80													
100													
150	•	•	•	•	•	•	•						
300	•	•	•	•	•	•	•						
600	•	•	•	•	•	•	•						

Valves in other sizes and ASME classes available on demand

Compliance Standards

L&T Gate, Globe & Check Valves are designed to meet major international standards and customer specifications.

Parameter		Standard
Design	Gate Valves	API 603, ASME B16.34
	Globe Valves	ASME B16.34
	Check Valves	ASME B16.34
Ends	Face-to-face/ End-to-end Dimensions	ASME B16.10
	End Flange Dimensions	ASME B16.5
	Butt-weld End Dimensions	ASME B16.25
	Forged Fittings, Socket welding & Threading Dimensions	ASME B16.11
Testing		API 598
Fugitive Emission		API 624, ISO 15848



Materials of Construction

Material Group	Material Grades
Group 2	A351 Grade CF3/ CF3M
	A351 Grade CF8/ CF8M
	A351 Grade CF8C
	A351 Grade CK3MCuN
	A995 Grade CD3MN
Group 3	A351 Grade CN7M
	A494 Grade CW12MW
	A351 Grade CN3MN

Other material grades specified in ASME B16.34 can be provided based on customer demand

Trim Materials

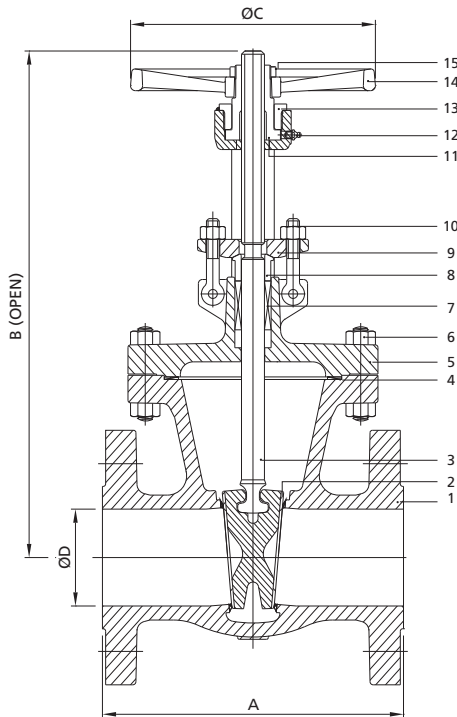
API 600 Trim	Materials			
	Stem	Seat Surface	Disc Surface	Back Seat
10	SS 316	SS 316	SS 316	SS 316
12	SS 316	HF	SS 316	SS 316
16	SS 316	HF	HF	SS 316

Gate Valves - ASME Class 150 to 600 (API 603, ASME B16.34)

Gate Valves are of outside screw-and-yoke design. The valves are available with flanged and butt-weld ends.

Features:

- Integral body seat. In-situ hardfacing provided for Trim 12 and 16 valves
- Flex Wedge - Compensates for seat distortion and eliminates disc-jamming
- Single-piece forged stem with T-head for superior strength
- Body-bonnet Joint - Class 150 Globe Valves offered with square-shaped body-bonnet joints in size 2" and with oval-shaped joints in 3" size. Valves in all other sizes and pressure classes offered with circular body-bonnet joints.
- Complies to API 624 and ISO 15848 fugitive emission requirements



No.	Components	Materials
1	Body	A351 Gr CF8M
2	Wedge/ Gate/ Disc	A351 Gr CF8M/ A182 Gr F316
3	Stem	A182 Gr F316
4	Bonnet Gasket	Graphite/ PTFE
5	Bonnet	A351 Gr CF8M
6	Bolting: Body to Bonnet	Stud: A193 Gr B8M Cl 1/ A193 Gr B8M Cl 2 Nut: A194 Gr 8M
7	Packing	Graphite/ PTFE
8	Gland	A276 Type 316
9	Gland Flange	A182 Gr F316/ A351 Gr CF8M
10	Gland Stud & Nut	Stud: A193 Gr B8M Cl 1/ A193 Gr B8M Cl 2 Nut: A194 Gr 8M
11	Stem Nut	A439 Type D2/ B148 UNS C95400
12	Grease Fitting	A276 TP 316/ A276 TP 304
13	Retainer Nut	A276 TP 316
14	Handwheel	A536 Gr 60-40-18/ IS: 1865 Gr SG 400-15
15	Handwheel Nut	A276 TP 316
16	Identification Plate	A240 TP 304

Dimensions & Weights

Size		Class 150					Class 300					Class 600				
NPS	DN	A	B	C	D	Wt.	A	B	C	D	Wt.	A	B	C	D	Wt.
2	50	178	360	203	50.8	14	216	370	203	50.8	21	292	395	203	50.8	33
3	80	203	480	203	76.2	26	283	505	229	76.2	42	356	540	254	76.2	54
4	100	229	580	229	101.6	40	305	600	254	101.6	62	432	635	305	101.6	95
6	150	267	790	254	152.4	65	403	850	356	152.4	125	559	870	457	152.4	200
8	200	292	990	356	203.2	104	419	1035	406	203.2	185	660	1040	457	199.9	340
10	250	330	1200	406	254.0	150	457	1265	457	254.0	285	787	1465	630	247.7	560
12	300	356	1400	457	304.8	225	502	1460	508	304.8	400	838	1695	630	298.5	780
14	350	381	1530	508	336.6	350	762	1770	500	336.6	620					
16	400	406	1900	500	387.4	450	838	1995	630	387.4	800					
18	450	432	2150	500	438.2	565	914	2320	710	431.8	1100					
20	500	457	2370	630	489.0	720	991	2500	710	482.6	1375					
24	600	508	2650	630	590.6	1160	1143	2900	800	584.2	2100					

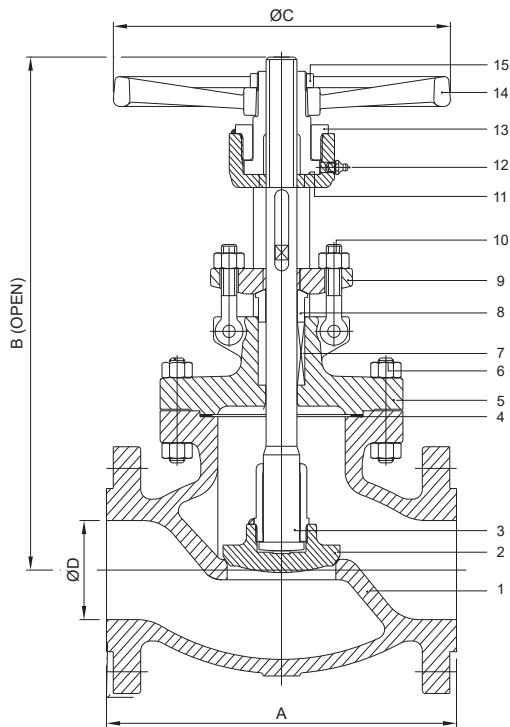
All dimensions in mm and approx. weights in kg

Globe Valves - ASME Class 150 to 600 (ASME B16.34)

Globe Valves are of outside screw-and-yoke design. The valves are available with flanged and butt-weld ends.

Features:

- Integral body seat. In-situ hardfacing provided for Trim 12 and 16 valves
- Non-Rotating Rising-Stem for lower operating torque
- Globe Valve stem-disc connection, allows disc to swivel and align for better seal
- Guided disc to avoid vibration during throttling
- Body-bonnet Joint - Class 150 Globe Valves offered with square-shaped body-bonnet joints in size 2" and with oval-shaped joints in 3" size. Valves in all other sizes and pressure classes offered with circular body-bonnet joints.
- Complies to API 624 and ISO 15848 fugitive emission requirements



No.	Components	Materials
1	Body	A351 Gr CF8M
2	Disc	A351 Gr CF8M/ A182 Gr F316
3	Stem	A182 Gr F316
4	Bonnet Gasket	Graphite/ PTFE
5	Bonnet	A351 Gr CF8M
6	Bolting: Body to Bonnet	Stud: A193 Gr B8M Cl 1/ A193 Gr B8M Cl 2 Nut: A194 Gr 8M
7	Packing	Graphite/ PTFE
8	Gland	A276 Type 316
9	Gland Flange	A182 Gr F316/ A351 Gr CF8M
10	Gland Stud & Nut	Stud: A193 Gr B8M Cl 1/ A193 Gr B8M Cl 2 Nut: A194 Gr 8M
11	Stem Nut	A439 Type D2/ B148 UNS C95400
12	Grease Fitting	A276 TP 316/ A276 TP 304
13	Retainer Nut	A276 TP 316
14	Handwheel	A536 Gr 60-40-18/ IS:1865 Gr SG 400-15
15	Handwheel Nut	A276 TP 316
16	Identification Plate	A240 TP 304

Dimensions & Weights

Size		Class 150					Class 300					Class 600				
NPS	DN	A	B	C	D	Wt.	A	B	C	D	Wt.	A	B	C	D	Wt.
2	50	203	380	203	50.8	18	267	415	203	50.8	25	292	475	254	50.8	35
3	80	241	460	254	76.2	32	318	515	254	76.2	45	356	585	356	76.2	60
4	100	292	535	305	101.6	50	356	605	356	101.6	75	432	665	406	101.6	105
6	150	406	610	356	152.4	90	444	715	457	152.4	150	559	1085	710	152.4	205
8	200	495	775	457	203.2	180	559	1185	710	203.2	325	660	1400	800	199.9	570
10	250	622	970	500	254.0	300	622	1290	800	254.0	550	787	1570	800	247.7	805
12	300	698	1195	710	304.8	390	711	1480	800	304.8	675	838	1810	800	298.5	1040

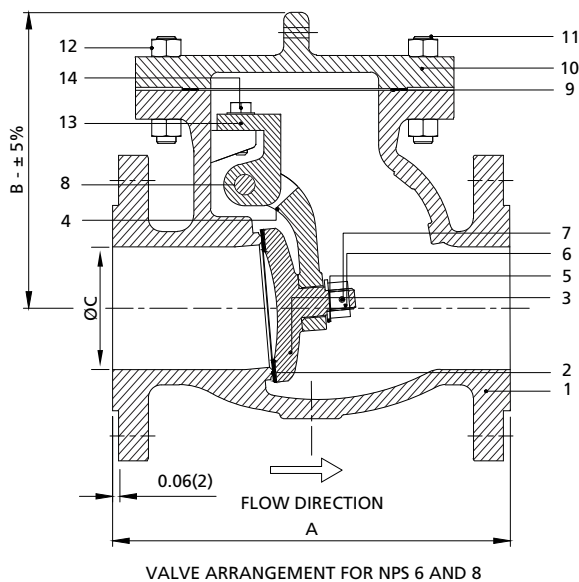
All dimensions in mm and approx. weights in kg

Check Valves - ASME Class 150 to 600 (ASME B16.34)

Check Valves are of swing-check design. The valves are available with flanged and butt-weld ends.

Features:

- Integral body seat. In-situ hardfacing provided for Trim 12 and 16 valves
- Internal hinge design eliminates additional leakage path
- Body-bonnet Joint - Class 150 Check Valves offered with square-shaped body-bonnet joints in size 2" and with oval-shaped joints in 3" size. Valves in all other sizes and pressure classes offered with circular body-bonnet joints.



No.	Components	Materials
1	Body	A351 Gr CF8M
2	Disc	A351 Gr CF8M
3	Hinge	A276 Type 316
4	Disc Washer	A276 Type 316
5	Disc Nut	A276 Type 316
6	Disc Nut Pin	A276 Type 316
7	Hinge Pin	A276 Type 316
8	Cover Gasket	Graphite/ PTFE
9	Cover	A351 Gr CF8M
10	Bolting: Body to Cover	Stud: A193 Gr B8M Cl 1/ A193 Gr B8M Cl 2 Nut: A194 Gr 8M
11	Bracket	A351 Gr CF8M
12	Hex Head Screw	A276 Type 316
13	Identification Plate	A240 TP 304

Other stainless steel grades offered on customer demand.

Dimensions & Weights

Size		Class 150				Class 300				Class 600			
NPS	DN	A	B	C	Wt.	A	B	C	Wt.	A	B	C	Wt.
2	50	203	150	50.8	11	267	160	50.8	19	292	175	50.8	26
3	80	241	180	76.2	25	318	190	76.2	35	356	200	76.2	40
4	100	292	210	101.6	35	356	225	101.6	53	432	245	101.6	70
6	150	356	265	152.4	65	444	315	152.4	110	559	330	152.4	150
8	200	495	325	203.2	120	533	365	203.2	175	660	410	199.9	240
10	250	622	405	254.0	235	622	410	254.0	245	787	495	247.7	410
12	300	698	455	304.8	275	711	485	304.8	360	838	570	298.5	630

All dimensions in mm and approx. weights in kg

Ordering Information

Size	Valve Type	Class	End Connection	Trim Number
50 (2")	3G Gate (603)	1 - 150	3 - Flanged RF	10
65 (2 ½")	3L Globe	3 - 300	5 - Flanged RTJ	12
80 (3")	3C Check	6 - 600	6 - Butt-weld	16
100 (4")				
150 (6")				
200 (8")				
250 (10")				
300 (12")				
350 (14")				
400 (16")				
450 (18")				
500 (20")				
600 (24")				



L&T Valves Limited

Mount - Poonamallee Road, Manapakkam, Chennai 600 089, INDIA

Tel. : + 91 44 2249 8201 Email: ContactUs@Lntvalves.com www.Lntvalves.com CIN Number: U74999MH1961PLC012188

Registered Office: L&T House, N. M. Marg, Ballard Estate, Mumbai - 400 001, INDIA

Publication Number: VC020/0219

As we continuously endeavour to improve our products, the data given herein is subject to change.
Please refer www.Lntvalves.com for the latest publication.

